

ANSWER NEXGEN-FYRE™ WOOD BURNING STOVE

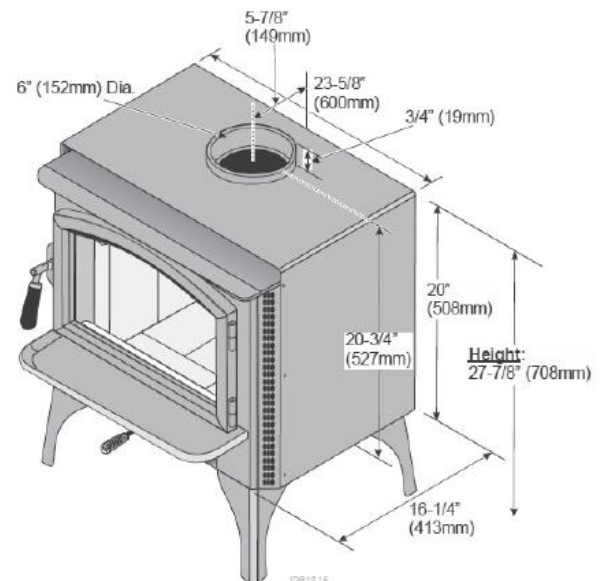


**EPA
CERTIFIED**

SMALL STOVE WITH HEAVY-DUTY CONSTRUCTION

The Answer NexGen-Fyre™ is a beautiful small stove built with heavy-duty, high quality construction. This stove uses a five-sided convection chamber to distribute heat evenly throughout living spaces up to 1,400 square feet. The Answer NexGen-Fyre™ has an elegant door design and huge viewing area, along with a 1.5 cubic foot firebox that can accommodate logs up to 18 inches long. Alcove and mobile home approved.

We dare you to compare! The Answer NexGen-Fyre™ is 2020 EPA-Certified using the new EPA CORD WOOD protocol, rather than the CRIB WOOD protocol that most other manufacturers test to. By testing with CORD WOOD, you get a true real world measurement of how well the appliance will burn and perform in your home.



ANSWER NEXGEN-FYRE™ WOOD BURNING STOVE

NEXGEN-FYRE™

NexGen-Fyre™ takes our non-catalytic wood burning technology to the next level! With NexGen-Fyre™, primary and secondary combustion are harnessed to create the ultimate blended combustion system that produces beautiful, balanced fires with double the BTU range, up to 50% greater heat output, and longer burn times than any other non-catalytic technology.

SPECIFICATIONS

Emissions: 2.0 Grams Per Hour
 Heating Capacity:* Up to 1,400 Square Feet
 EPA Tested BTU Range: 12,129 to 59,527 BTUs Per Hour
 Real World BTUs: *EPA tests to determine BTU output are achieved with a single load of wood at each burn rate. At home, you are likely to add more wood to your insert to maintain your desired comfort level. By the simple process of loading your fireplace insert with additional wood, you could achieve up to a 20% higher heat output than established during EPA testing.*

Maximum Burn Time: Up to 8 Hours
 Efficiency:** 72.4% HHV
 Glass Viewing Area: 135 sq. in (15-1/4" W x 9-1/4" H)

** Heating capacity may vary depending on degree of home insulation, floor plan and ambient temperature zone of the area you live.*

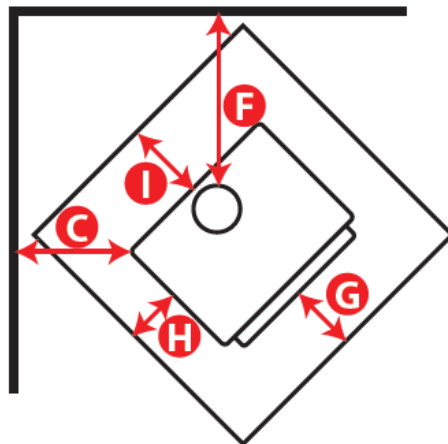
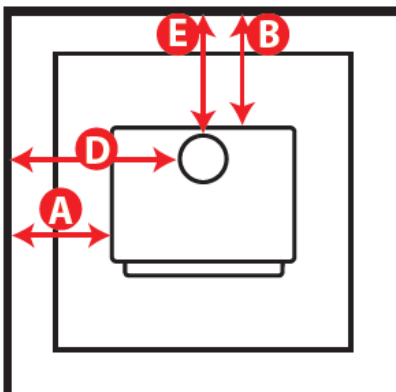
***As tested using B-415.1 using Cord Wood. HHV = High Heat Value*

Firebox Size: 1.5 Cubic Feet
 Maximum Log Size: 18"
 Weight: 300 Pounds
 Construction: 5/16" to 3/16" Steel Plate

OPTIONS

- Choice of Sculptured Steel, Sculptured Pewter or Cast Black Legs
- 160 CFM Convection Fan
- Outside Air Kit
- **GREEN START™** Igniter

CLEARANCES & HEARTH PROTECTION



	Single Wall Connector	Double Wall Connector
A	18"	13"
B	16-1/2"	9"
C	10"	7-1/2"
D	27"	21-1/2"
E	19-1/2"	11-1/2"
F	19-1/2"	16-1/2"
	USA	CANADA
G	16"	18"
H	6"	8"
I	6"	8"

JnL Stoves and Spas
 18845 Denmark St.
 Rochester, WA. 98579

Hours:

Tuesday - Friday 9:30 - 6:00, Saturday 11:00 - 5:00
 Sundays and Mondays - Closed

EVERGREEN™ NEXGEN-FYRE™ WOOD BURNING STOVE



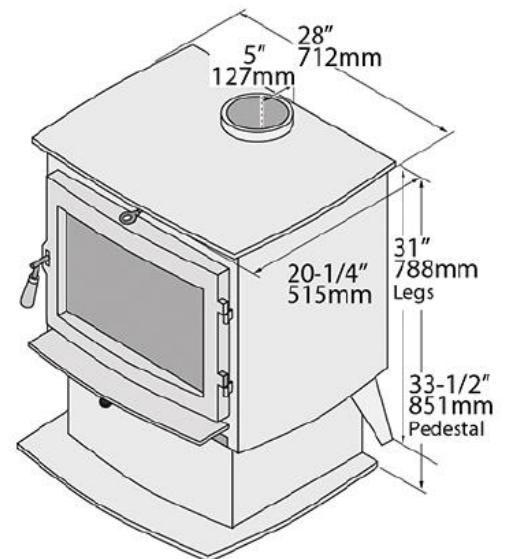
**EPA
CERTIFIED**

**SAVE UP TO 26% WITH THE US FEDERAL BIOMASS TAX CREDIT
INCLUDES MODEL, ACCESSORIES, AND INSTALLATION
PLEASE CONSULT WITH YOUR TAX ADVISOR TO CONFIRM YOUR ELIGIBILITY FOR THIS TAX CREDIT**

CONTEMPORARY WOOD HEATER

The mid-sized Evergreen NexGen-Fyre™ Wood Stove hits the mark on performance, function and design. This sleek stove features gentle curved lines and complements any home's décor while artfully presenting heavy gauge steel, unibody construction and a cast iron door with a large, self-cleaning ceramic glass viewing area. The Evergreen's standard bypass damper gives you full control over the flow of smoke inside this stove, eliminating smoky startups and reloads.

The Evergreen features our revolutionary GreenStart™ option for the modern wood burner; just load your wood and push a button! We've completely eliminated slow, cracked open door startups and laboring over fickle newspaper.



EVERGREEN™ NEXGEN-FYRE™ STOVE

NEXGEN-FYRE™

NexGen-Fyre™ takes our non-catalytic wood burning technology to the next level! With NexGen-Fyre™, primary and secondary combustion are harnessed to create the ultimate blended combustion system that produces beautiful, balanced fires with double the BTU range, up to 50% greater heat output, and longer burn times than any other non-catalytic technology.

SPECIFICATIONS

Emissions:	1.5 Grams Per Hour
Heating Capacity:*	Up to 2,000 Square Feet
EPA Tested BTU Range:	12,772 to 70,720 BTUs Per Hour
Real World BTUs:	<i>EPA tests to determine BTU output are achieved with a single load of wood at each burn rate. At home, you are likely to add more wood to your insert to maintain your desired comfort level. By the simple process of loading your fireplace insert with additional wood, you could achieve up to a 20% higher heat output than established during EPA testing.</i>
Construction:	5/16" to 3/16" Steel Plate
Efficiency:**	77.1% HHV
Glass Area:	183 sq. in (16-7/8" W x 10-7/8" T)

* Heating capacity may vary depending on degree of home insulation, floor plan and ambient temperature zone of the area you live.

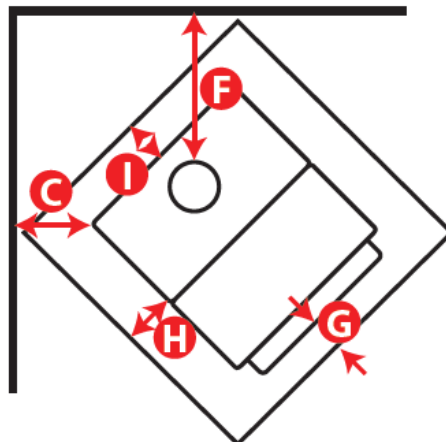
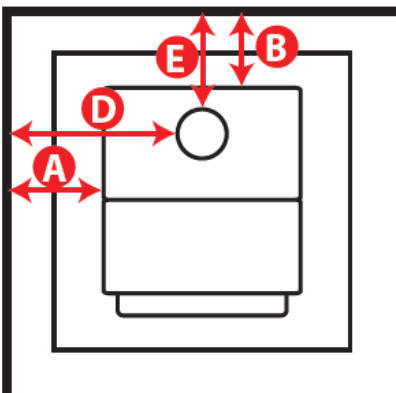
**As tested using B-415.1 using Cord Wood. HHV = High Heat Value

Maximum Burn Time:	Up to 10 Hours
Firebox Size:	2.2 Cubic Feet
Maximum Log Size:	20-1/2"
Bypass Damper:	Yes
Weight:	455 Pounds

OPTIONS

- 400 CFM Convection Fan
- Outside Air Kit
- **GREEN START.** Igniter

CLEARANCES & HEARTH PROTECTION



	Single Wall Connector	Double Wall Connector
A	12"	11"
B	17"	9"
C	8"	4"
D	22-1/2"	21"
E	19"	10-1/2"
F	17-1/2"	13-1/2"
	USA	Canada
G	16"	18"
H	6"	8"
I	6"	8"

JnL Stoves and Spas
18845 Denmark St.
Rochester, WA. 98579

Hours:

Tuesday - Friday 9:30 - 6:00, Saturday 11:00 - 5:00
Sundays and Mondays - Closed

ENDEAVOR™ NEXGEN-FYRE™ WOOD BURNING STOVE



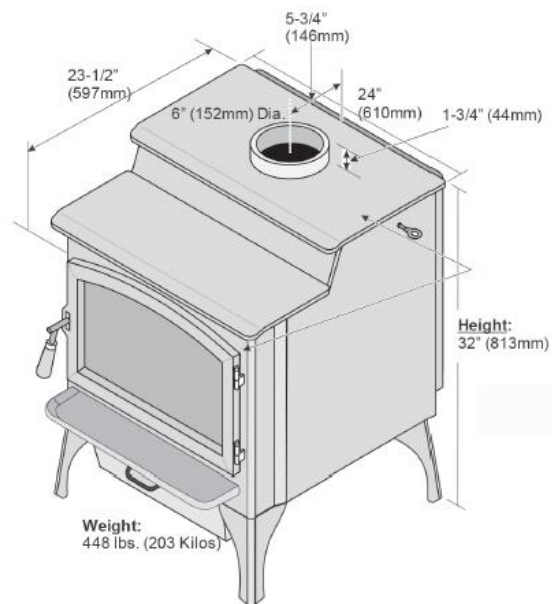
JnLStoves.com

**EPA
CERTIFIED**

OUR BEST SELLING WOOD STOVE SINCE 1984

The Endeavor NexGen-Fyre™ is our #1 selling wood stove because it combines beauty, form and function with unbeatable performance! This stove is ideal for heating mid-sized to large homes up to 2,000 square feet. The Endeavor NexGen-Fyre™ features a massive door and fireviewing area, along with a 2.5 cubic foot firebox that can accommodate logs lengthwise up to 18 inches long. The standard bypass damper on this stove makes startups easy and prevents smoke-backs during reloading. Alcove and mobile home approved.

We dare you to compare! The Endeavor NexGen-Fyre™ is 2020 EPA-Certified using the new EPA CORD WOOD protocol, rather than the CRIB WOOD protocol that most other manufacturers test to. By testing with CORD WOOD, you get a true real world measurement of how well the appliance will burn and perform in your home.



ENDEAVOR™ NEXGEN-FYRE™ STOVE

NEXGEN-FYRE™

NexGen-Fyre™ takes our non-catalytic wood burning technology to the next level! With NexGen-Fyre™, primary and secondary combustion are harnessed to create the ultimate blended combustion system that produces beautiful, balanced fires with double the BTU range, up to 50% greater heat output, and longer burn times than any other non-catalytic technology.

SPECIFICATIONS

Emissions:	1.4 Grams Per Hour
Heating Capacity:*	Up to 2,000 Square Feet
EPA Tested BTU Range:	12,114 to 67,090 BTUs Per Hour
Real World BTUs:	<i>EPA tests to determine BTU output are achieved with a single load of wood at each burn rate. At home, you are likely to add more wood to your insert to maintain your desired comfort level. By the simple process of loading your fireplace insert with additional wood, you could achieve up to a 20% higher heat output than established during EPA testing.</i>
Construction:	5/16" to 3/16" Steel Plate
Efficiency:**	74.2% HHV
Glass Area:	165 sq. in (15-1/4" W x 11-1/4" T)

* Heating capacity may vary depending on degree of home insulation, floor plan and ambient temperature zone of the area you live.

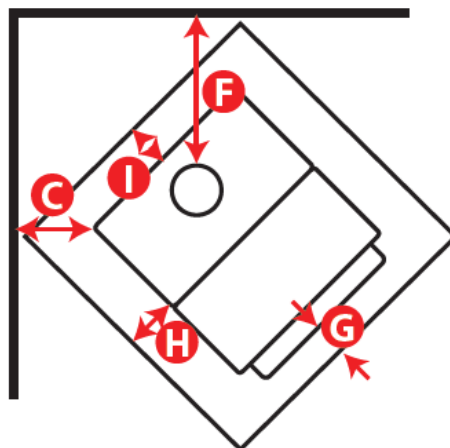
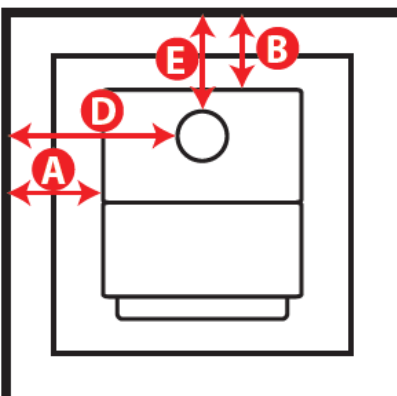
**As tested using B-415.1 using Cord Wood. HHV = High Heat Value

Maximum Burn Time:	Up to 10 Hours
Firebox Size:	2.5 Cubic Feet
Maximum Log Size:	18"
Bypass Damper:	Yes
Weight:	448 Pounds

OPTIONS

- 400 CFM Convection Fan
- Outside Air Kit
- **GREEN START.** Igniter

CLEARANCES & HEARTH PROTECTION



	Single Wall Connector	Double Wall Connector
A	15"	13"
B	17"	9"
C	15"	6-1/2"
D	24"	21-1/2"
E	19-3/4"	11-1/4"
F	24"	15"
	USA	Canada
G	16"	18"
H	6"	8"
I	6"	8"

JnL Stoves and Spas
18845 Denmark St.
Rochester, WA. 98579

Hours:

Tuesday - Friday 9:30 - 6:00, Saturday 11:00 - 5:00
Sundays and Mondays - Closed

LIBERTY™ NEXGEN-FYRE™ WOOD BURNING STOVE

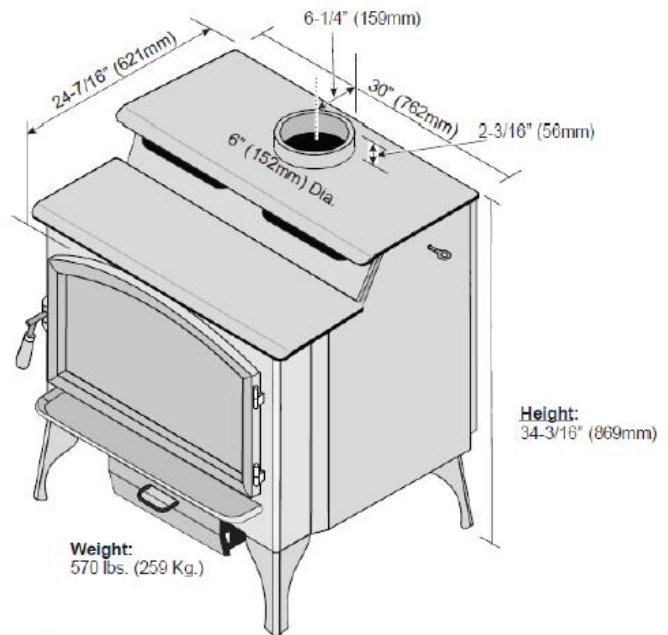


**EPA
CERTIFIED**

THE ULTIMATE WHOLE HOUSE HEATER

The Liberty™ is a large stove made for heating large homes and living spaces. At only 2.5 grams of emissions per hour, it is one of the cleanest burning large stoves approved by the EPA. The huge firebox and fire viewing area allow you to load wood up to 24" long and fully appreciate the splendor of the fire. It also features a single control to adjust air flow, making it easy to achieve burn times up to 12 hours. This stove comes standard with a bypass damper and easy-glide ash pan. The Liberty's step-top design is enchanting yet functional, providing cooking and warming surfaces as well as radiant and convective heat.

The Liberty™ features our revolutionary GreenStart™ option for the modern wood burner; just load your wood and push a button! We've completely eliminated slow, cracked open door startups and laboring over fickle newspaper.



LIBERTY™ NEXGEN-FYRE™ STOVE

NEXGEN-FYRE™

NexGen-Fyre™ takes our non-catalytic wood burning technology to the next level! With NexGen-Fyre™, primary and secondary combustion are harnessed to create the ultimate blended combustion system that produces beautiful, balanced fires with double the BTU range, up to 50% greater heat output, and longer burn times than any other non-catalytic technology.

SPECIFICATIONS

Emissions: 2.5 Grams Per Hour
 Heating Capacity*: Up to 2,000 Square Feet
 EPA Tested BTU Range: 15,155 to 63,239 BTUs Per Hour
 Real World BTUs: *EPA tests to determine BTU output are achieved with a single load of wood at each burn rate. At home, you are likely to add more wood to your insert to maintain your desired comfort level. By the simple process of loading your fireplace insert with additional wood, you could achieve up to a 20% higher heat output than established during EPA testing.*
 Construction: 5/16" to 3/16" Steel Plate
 Efficiency:** 70% HHV
 Glass Area: 232 sq. in (21-1/4" W x 11-3/4" T)

* Heating capacity may vary depending on degree of home insulation, floor plan and ambient temperature zone of the area you live.

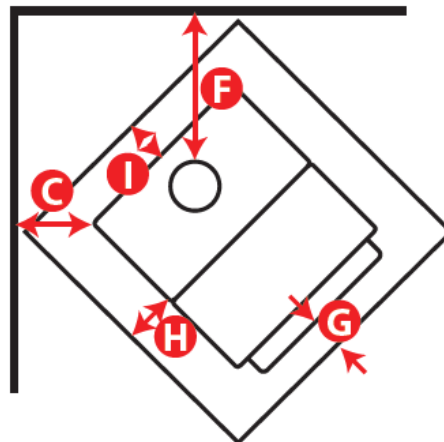
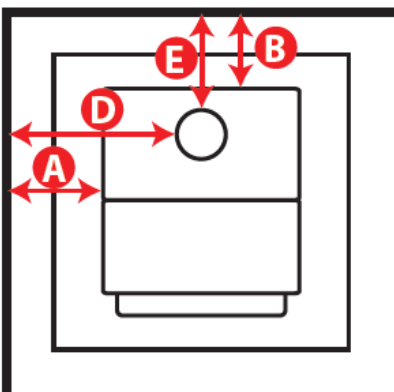
**As tested using B-415.1 using Cord Wood. HHV = High Heat Value

Maximum Burn Time: Up to 12 Hours
 Firebox Size: 3.65 Cubic Feet
 Maximum Log Size: 24"
 Bypass Damper: Yes
 Weight: 570 Pounds

OPTIONS

- 400 CFM Convection Fan
- Outside Air Kit
- **GREEN START.** Igniter

CLEARANCES & HEARTH PROTECTION



	Single Wall Connector	Double Wall Connector
A	16"	16"
B	15"	10"
C	9-1/2"	7-1/2"
D	28"	27-1/2"
E	18-1/4"	12-3/4"
F	21"	18-1/2"
	USA	Canada
G	16"	18"
H	6"	8"
I	6"	8"

JnL Stoves and Spas
 18845 Denmark St.
 Rochester, WA. 98579

Hours:

Tuesday - Friday 9:30 - 6:00, Saturday 11:00 - 5:00
 Sundays and Mondays - Closed

ROCKPORT™ HYBRID-FYRE™ WOOD BURNING STOVE



JnLStoves.com



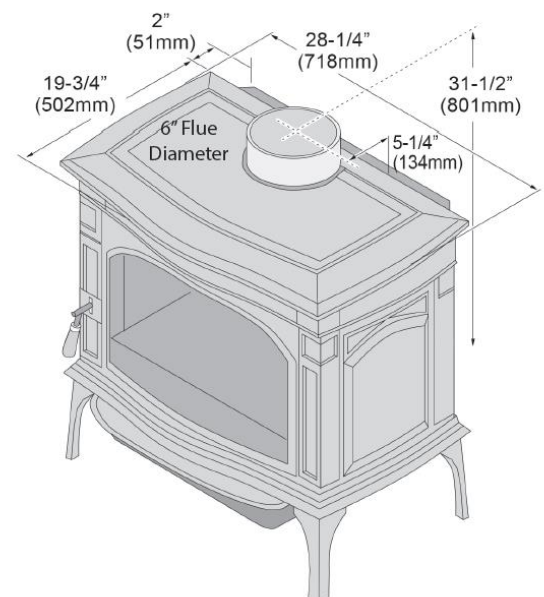
**EPA
CERTIFIED**

**SAVE UP TO 26% WITH THE US FEDERAL BIOMASS TAX CREDIT
INCLUDES MODEL, ACCESSORIES, AND INSTALLATION**

PLEASE CONSULT WITH YOUR TAX ADVISOR TO CONFIRM YOUR ELIGIBILITY FOR THIS TAX CREDIT

CAST IRON ELEGANCE

The Rockport™ wood stove by Lopi® combines beautiful European castings with optimum performance and solid construction to bring you the perfect mid-sized wood stove. Premium materials like iron, steel, real masonry brick and crystal clear ceramic glass are brought together in a fusion of classic elegance and durability designed to heat your home and family for years to come, even when the power goes out. This stove comes standard with a bypass damper that allows for easy startups and reloading, along with an easy-glide ash pan for quick cleanup. The Rockport features Hybrid-Fyre® technology, making it one of the most efficient and cleanest burning wood stoves in the world!



ROCKPORT™ HYBRID-FYRE™ STOVE

HYBRID-FYRE™

*Hybrid-Fyre® is the most efficient wood burning technology in the world!
This patented, award-winning technology highlights the strengths of
both catalytic and NexGen-Fyre™ (non-catalytic) technologies to
create an advanced combustion system that burns less wood to
generate the greatest heat output.*

SPECIFICATIONS

Emissions:	1.7 Grams Per Hour
Heating Capacity:*	Up to 2,000 Square Feet
EPA Tested BTU Range:	13,760 to 55,466 BTUs Per Hour
Real World BTUs:	<i>EPA tests to determine BTU output are achieved with a single load of wood at each burn rate. At home, you are likely to add more wood to your insert to maintain your desired comfort level. By the simple process of loading your fireplace insert with additional wood, you could achieve up to a 20% higher heat output than established during EPA testing.</i>
Efficiency:**	76.3% HHV
Construction:	Cast Iron
Glass Area:	165 sq. in (16-3/4" W x 10-3/8" T)

* Heating capacity may vary depending on degree of home insulation, floor plan and ambient temperature zone of the area you live.

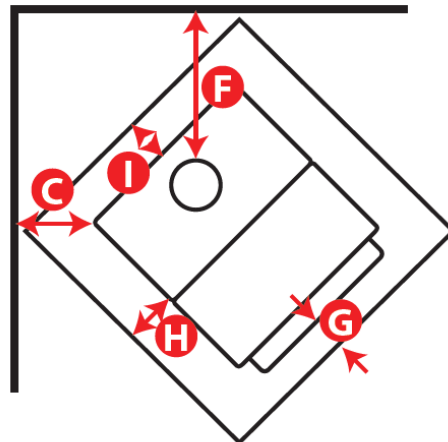
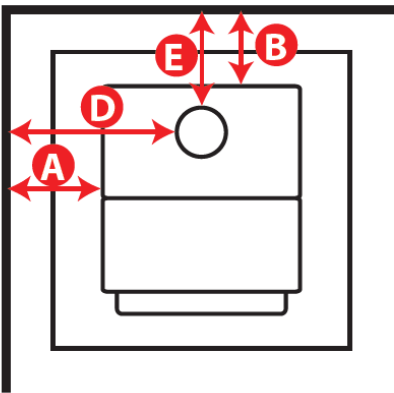
**As tested using B-415.1 using Cord Wood. HHV = High Heat Value

Maximum Burn Time:	Up to 10 Hours
Firebox Size:	2.15 Cubic Feet
Maximum Log Size:	20"
Bypass Damper:	Yes
Weight:	450 Pounds

OPTIONS

- 400 CFM Convection Fan
- Outside Air Kit
- **GREEN START™** Igniter

CLEARANCES & HEARTH PROTECTION



	Single Wall Connector	Double Wall Connector
A	16"	16"
B	16"	10-1/2"
C	9"	9"
D	27-1/8"	26-1/2"
E	18-1/4"	12-1/4"
F	19-1/4"	18-3/4"
	USA	Canada
G	16"	18"
H	6"	8"
I	6"	8"

JnL Stoves and Spas
18845 Denmark St.
Rochester, WA. 98579

Hours:

Tuesday - Friday 9:30 - 6:00, Saturday 11:00 - 5:00
Sundays and Mondays - Closed