

ANSWER NEXGEN-FYRE™ WOOD BURNING INSERT

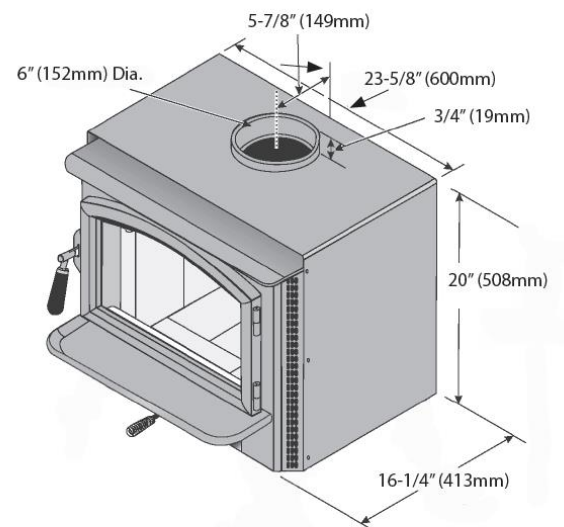


**EPA
CERTIFIED**

SMALL INSERT WITH GREAT CONVECTIVE HEAT

The Answer NexGen-Fyre™ is an excellent heat source for individual rooms or small homes. It conserves space by mounting almost flush to your existing masonry or zero clearance fireplace. This insert has a huge viewing area and sleek door design, along with a 1.5 cubic foot firebox that holds up to 18-inch logs. The Answer NexGen-Fyre™ offers advanced features like a five-sided convection chamber to evenly distribute warm air and a single air control for easy regulation of burns and heat output.

We dare you to compare! The Answer NexGen-Fyre™ is 2020 EPA Certified using the new EPA CORD WOOD protocol, rather than the CRIB WOOD protocol that most other manufacturers test to. By testing with CORD WOOD, you get a true real world measurement of how well the appliance will burn and perform in your home.



ANSWER NEXGEN-FYRE™ WOOD BURNING INSERT

NEXGEN-FYRE™

NexGen-Fyre™ takes our non-catalytic wood burning technology to the next level! With NexGen-Fyre™, primary and secondary combustion are harnessed to create the ultimate blended combustion system that produces beautiful, balanced fires with double the BTU range, up to 50% greater heat output, and longer burn times than any other non-catalytic technology.

SPECIFICATIONS

Emissions:	2.0 Grams Per Hour
Heating Capacity:*	750 to 1,200 Square Feet
EPA Tested BTU Range:	12,129 to 59,529 BTUs Per Hour
Real World BTUs:	<i>EPA tests to determine BTU output are achieved with a single load of wood at each burn rate. At home, you are likely to add more wood to your insert to maintain your desired comfort level. By the simple process of loading your fireplace insert with additional wood, you could achieve up to a 20% higher heat output than established during EPA testing.</i>
Maximum Burn Time:	Up to 8 Hours
Efficiency:**	72.4% HHV

* Heating capacity may vary depending on degree of home insulation, floor plan and ambient temperature zone of the area you live.

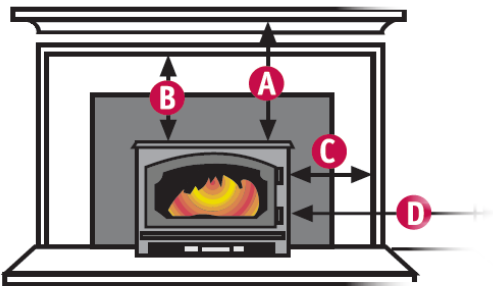
**As tested using B-415.1 using Cord Wood HHV = High Heat Value

Glass Viewing Area:	135 sq. in (15-1/4"W x 9-1/4" H)
Firebox Size:	1.5 Cubic Feet
Maximum Log Size:	18"
Weight:	285 Pounds
Construction:	5/16" to 3/16" Steel Plate

OPTIONS

- One Piece Finish Panels
Custom Panels also available through your Lopi Dealer
- 130 CFM Convection Fan
- High Temperature Insert Wiring Kit

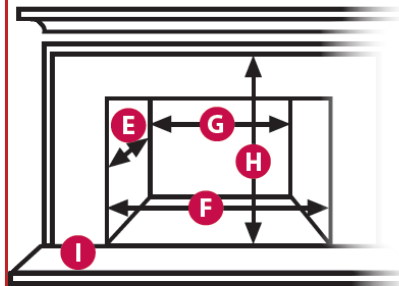
CLEARANCES & HEARTH PROTECTION



All Inserts must have a non-combustible hearth pad that extends a minimum of 16" in front of the insert and 8" to the sides.

	Masonry	Metal (ZC)
A = Firebox to Mantel	35-1/2"	44"
B = Firebox to Top Facing	32"	32"
C = Firebox Side to Side Facing	9-1/2"	12"
D = Firebox Side to Side Wall	13"	13"

SIZING YOUR FIREPLACE FOR AN INSERT



Your Fireplace Measurements

E = Depth	_____
F = Front Width	_____
G = Back Width	_____
H = Height	_____
I = Hearth Depth	_____

Please use the provided chart above to mark down your fireplace dimensions. This will assist you in determining the right Lopi insert for your fireplace.

Approved ZC Fireplaces: The Answer™ insert is approved for Marco®, Majestic®, Heatilator®, Superior®, Preway® and Tempco® zero clearance fireplaces. See the Owner's Manual for details.

JnL Stoves and Spas
18845 Denmark St.
Rochester, WA. 98579

Hours:

Tuesday - Friday 9:30 - 6:00, Saturday 11:00 - 5:00
Sundays and Mondays - Closed



JnLStoves.com

EVERGREEN NEXGEN-FYRE™ WOOD BURNING INSERT



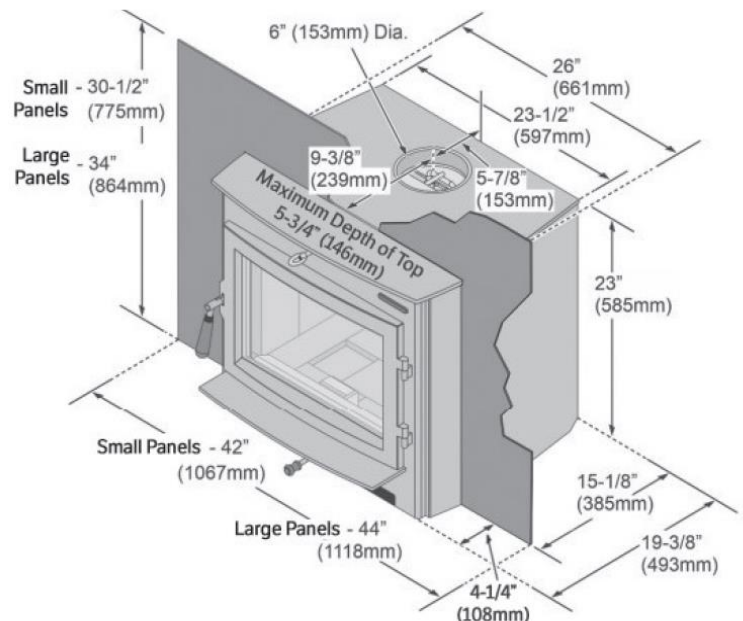
SAVE UP TO 26% WITH THE US FEDERAL BIOMASS TAX CREDIT INCLUDES MODEL, ACCESSORIES, AND INSTALLATION

PLEASE CONSULT WITH YOUR TAX ADVISOR TO CONFIRM YOUR ELIGIBILITY FOR THIS TAX CREDIT

PREMIUM CONTEMPORARY INSERT WITH BIG HEAT OUTPUT

The mid-sized Evergreen NexGen-Fyre™ Wood Insert hits the mark on performance, function, and design. This sleek insert presents clean lines and complements any home's décor, while featuring heavy gauge steel unibody construction and a three-piece cast iron door assembly. The result is exquisite and reliable heat for decades to come.

- Clean-burning NexGen-Fyre™ non-catalytic technology
- Bypass damper gives you full control over the flow of smoke inside the firebox, eliminating smoky startups and reloads
- Self-cleaning high-temperature ceramic glass
- Three-sided convection chamber naturally circulates heat and evenly distributes warm air
- Single air control effortlessly regulates the burn rate
- Built to last with heavy duty stainless steel tubes, real kiln-fired refractory firebrick, and unibody construction
- Three-piece cast iron door and sealing plate featuring:
 - Knife-edge face seal
 - Cast iron glass retainer
 - Cast iron door with massive viewing area
- Easy-latch door handle securely locks into place
- Optional 130 CFM convection fan for increased heat transfer
- Approved for masonry and zero clearance fireplaces
- Free wood moisture meter included



EVERGREEN NEXGEN-FYRE™ WOOD BURNING INSERT

ADVANCED NEXGEN-FYRE™ TECHNOLOGY

NexGen-Fyre™ takes our non-catalytic wood burning technology to the next level! With NexGen-Fyre™, primary and secondary combustion are harnessed to create the ultimate blended combustion system that produces beautiful, balanced fires with double the BTU range, up to 50% greater heat output, and longer burn times than any other non-catalytic technology.

SPECIFICATIONS

Emissions:	1.5 Grams Per Hour
Heating Capacity:*	Up to 2,000 Square Feet
EPA Tested BTUs:	12,772 to 70,720
Overall Efficiency:**	77.1% HHV

* Heating capacity may vary depending on degree of home insulation, floor plan and ambient temperature zone of the area you live.

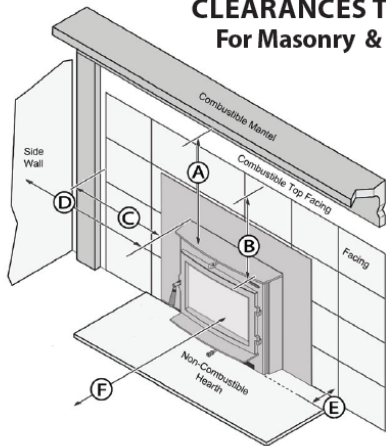
**As tested using B-415.1 using Cord Wood. HHV = High Heat Value

Construction:	Heavy-Duty 5/16" to 3/16" Steel
Glass Area:	183 Sq. In. (16-7/8" W x 10-7/8" T)
Maximum Burn Time:	Up to 10 Hours
Firebox Size:	2.2 Cubic Feet
Maximum Log Size:	20-1/2 Inches
Bypass Damper:	Yes
Weight:	405 Pounds

OPTIONS

- Small One Piece Panel: 30.5" H x 42" W
- Large One Piece Panel: 34" H x 44" W
- 130 CFM Convection Fan

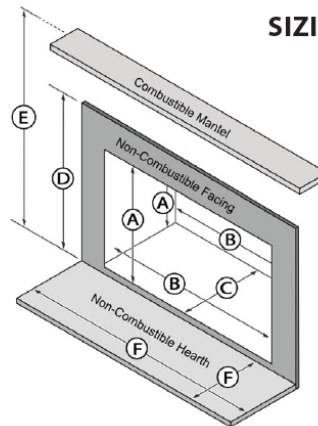
CLEARANCES TO COMBUSTIBLES For Masonry & Metal (ZC) Fireplaces



Non-Combustible Hearth Clearances	
Front of Insert	
	16" (407mm) USA 18" (458mm) CANADA
Sides of Insert	
	6" (153mm) USA 8" (204mm) CANADA

A = Firebox Top to Mantel	20" (508mm)
B = Firebox Top to Top Facing	13-3/4" (350mm)
C = Firebox Side to Side Facing	8" (204mm)
D = Firebox Side to Side Wall	18" (458mm)
E = Extension onto Hearth	4-1/4" (108mm)
F = Any Combustible In Front of Insert	36" (915mm)

SIZING YOUR FIREPLACE FOR AN INSERT



Your Fireplace Measurements

A = Height Front	_____
Height Back	_____
B = Width Front	_____
Width Back	_____
C = Depth	_____
D = Facing Height	_____
E = Mantle Height	_____
F = Depth & Width	_____ x _____

Minimum Fireplace Requirements

A = Height	Front and Back 23-1/4" (591mm)	F= Insert must have a non-combustible hearth pad that extends a minimum of 20-1/4" (515mm) USA, 22-1/4 (566mm) CANADA in front of the fireplace with a minimum width of 38" (966mm) USA, 42" (1067mm) CANADA.
B = Width	Front 26-1/4" (667mm) Back 23-3/4" (603mm)	
C = Depth	15-1/4" (388mm) 14" (356mm) when using trim	
D = Facing Height	36-3/4" (934mm)	
E = Mantle Height	43" (1093mm)	



JnL Stoves and Spas
18845 Denmark St.
Rochester, WA. 98579

Hours:

Tuesday - Friday 9:30 - 6:00, Saturday 11:00 - 5:00
Sundays and Mondays - Closed

MEDIUM FLUSH WOOD™ NEXGEN-FYRE™ WOOD BURNING INSERT



JnLStoves.com



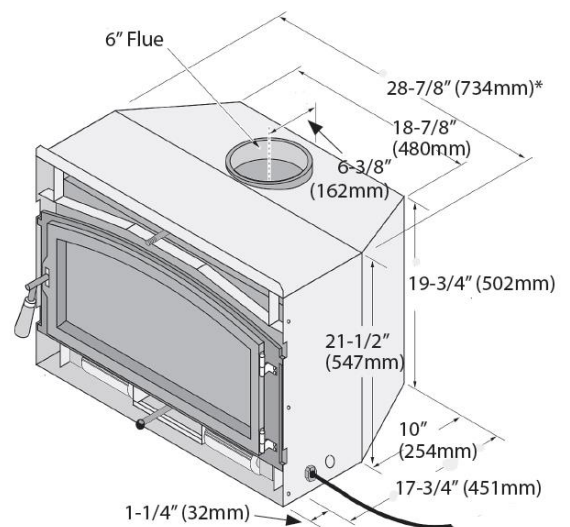
**EPA
CERTIFIED**

MID-SIZED FLUSH INSERT THAT PROVIDES EXTRAORDINARY HEAT

The Medium Flush Wood NexGen-Fyre™ Insert converts a wasteful masonry or zero clearance fireplace into an excellent heat source that can provide reliable warmth at a fraction of the cost of electricity or oil. With a three-sided convection chamber and standard 180 CFM convection fan, this insert is designed to deliver the maximum heat output from the wood.

NexGen-Fyre™ takes our non-catalytic wood burning technology to the next level! With NexGen-Fyre™, primary and secondary combustion are harnessed to create the ultimate blended combustion system. This produces beautiful, balanced fires with double the BTU range, up to 50% greater heat output, and longer burn times than any other non-catalytic technology.

**Available in Arched or
Rectangular Door Models.**



**You will need a fireplace opening of 34-7/8" wide measured 4" back from the front if you are using the GreenStart® Igniter option.*

SPECIFICATIONS

Emissions:	2.4 Grams Per Hour (Cord Wood)
Heating Capacity:*	1,200 to 2,000 Square Feet
EPA Tested BTU Range:	15,583 to 55,395 BTUs Per Hour
Real World BTUs:	<i>EPA tests to determine BTU output are achieved with a single load of wood at each burn rate. At home, you are likely to add more wood to your insert to maintain your desired comfort level. By the simple process of loading your fireplace insert with additional wood, you could achieve up to a 20% higher heat output than established during EPA testing.</i>
Efficiency:**	72% HHV
Maximum Burn Time:	Up to 10 Hours
Firebox Size:	2.2 Cubic Feet
Maximum Log Size:	24 Inches
Weight:	450 Pounds
Construction:	5/16" to 1/4" Steel Plate
Bypass Damper:	Yes
Glass Viewing Area:	22-5/8"W x 10" H (216 Sq. In. Arch, 227 Rect.)

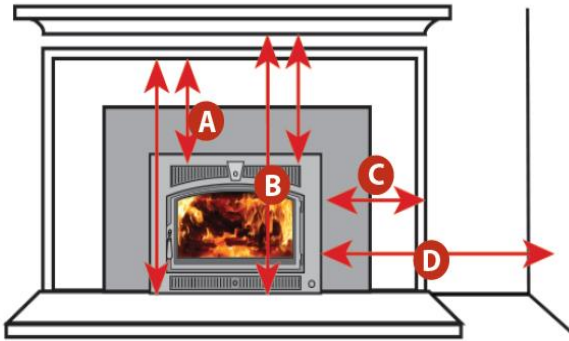
* Heating capacity may vary depending on degree of home insulation, floor plan and ambient temperature zone of the area you live.

**As tested using B-415.1 using Cord Wood. HHV = High Heat Value

OPTIONS

- Insert Wiring Kit
- **GREEN START.** Igniter

CLEARANCES TO UNPROTECTED COMBUSTIBLES



	Masonry	Metal (ZC)
A = Insert Base to Mantel	41-1/2"	41-1/2"
B = Insert Base to Top Facing	39"	39"
C = Firebox Side to Side Facing	9"	9"
D = Firebox Side to Side Wall	9"	9"

DOOR FACE OPTIONS



Universal Face
33-3/8 W x 23-1/4 H

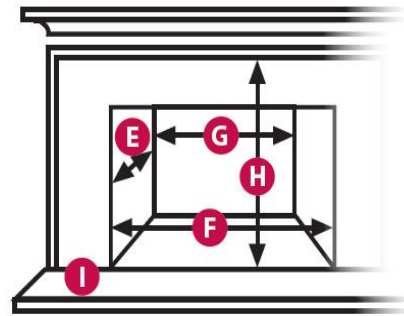


Wilmington Face
33-3/8 W x 23-1/4 H



Times Square™ Face
33-3/4 W x 22-1/4 H

SIZING YOUR FIREPLACE FOR AN INSERT



Your Fireplace Measurements

E = Depth	_____
F = Front Width	_____
G = Back Width	_____
H = Height	_____
I = Hearth Depth	_____

Please use the provided chart above to mark down your fireplace dimensions. This will assist you in determining the right Lopi insert for your fireplace.

Approved ZC Fireplaces: Approved for Marco®, Majestic®, Heatilator®, Superior®, Preway® and Tempco® zero clearance fireplaces. See the Owner's Manual for details.

JnL Stoves and Spas
18845 Denmark St.
Rochester, WA. 98579

Hours:

Tuesday - Friday 9:30 - 6:00, Saturday 11:00 - 5:00
Sundays and Mondays - Closed

LARGE FLUSH WOOD™ NEXGEN-FYRE™ WOOD BURNING INSERT



JnLStoves.com

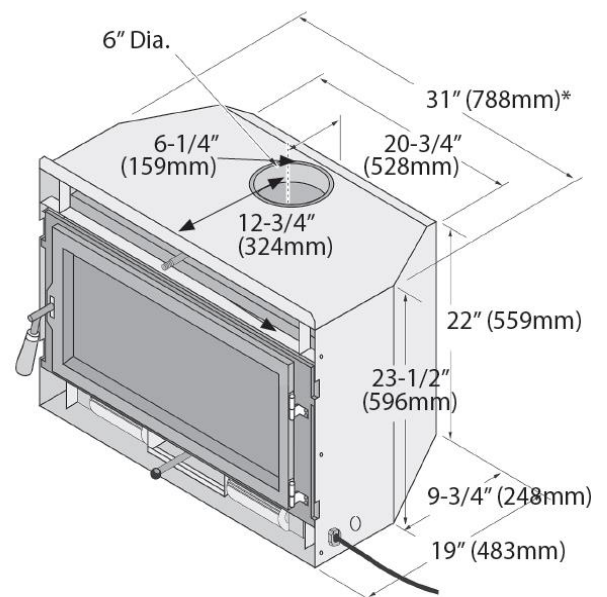


Shown with the Universal™ Face, seamless one-piece panel, GreenStart™ Igniter and Insert Wiring kit.

OUR CLEANEST BURNING LARGE WOOD INSERT

Turn your old, inefficient fireplace into a clean burning, cost-effective, and reliable source of heat with a NexGen-Fyre™ Large Flush Wood Insert by Lopi®. Our wood burning insert features a sleek, flush design that does not extend out onto the hearth to offer a classic, finished look that will complement any décor. All inserts feature a big, beautiful fire viewing area and concealed convection fans that increase the transfer and circulation of heat throughout your home. NexGen-Fyre™ takes our non-catalytic wood burning technology to the next level! With NexGen-Fyre™, primary and secondary combustion are harnessed to create the ultimate blended combustion system. This produces beautiful, balanced fires with double the BTU range, up to 50% greater heat output, and longer burn times than any other non-catalytic technology.

Available in Arched or Rectangular Door Models.



**GreenStart® igniter option requires additional firebox width measured 3" from front of fireplace opening.*

SPECIFICATIONS

Emissions:	1.7 Grams Per Hour (Cord Wood)
Heating Capacity*:	1,500 to 2,500 Square Feet
EPA Tested BTU Range:	17,900 to 66,736 BTUs Per Hour
Real World BTUs:	<i>EPA tests to determine BTU output are achieved with a single load of wood at each burn rate. At home, you are likely to add more wood to your insert to maintain your desired comfort level. By the simple process of loading your fireplace insert with additional wood, you could achieve up to a 20% higher heat output than established during EPA testing.</i>
Efficiency:**	73% HHV
Maximum Burn Time:	Up to 12 Hours
Firebox Size:	3.0 Cubic Feet
Maximum Log Size:	24 Inches
Weight:	530 Pounds
Construction:	5/16" to 1/4" Steel Plate
Bypass Damper:	Yes
Glass Viewing Area:	24-1/2"W x 13"H (307 Sq. In. Arch, 319 Rect.)

* Heating capacity may vary depending on degree of home insulation, floor plan and ambient temperature zone of the area you live.

**As tested using B-415.1 using Cord Wood. HHV = High Heat Value

OPTIONS

- Insert Wiring Kit
- **GREEN START** Igniter

RECTANGULAR DOOR FACE OPTIONS



Universal Face
Metallic Black paint finish
35-3/8" W x 25-3/4" H

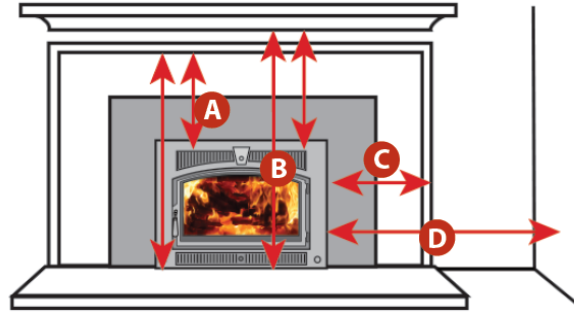


Times Square™ Face
Metallic Black paint finish
37-3/4" W x 25-3/4" H



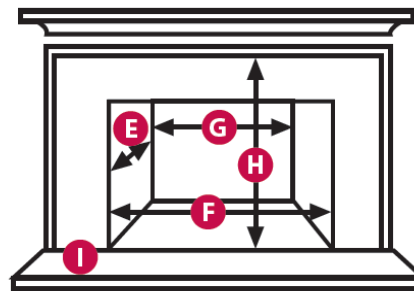
Boston™ Face
Metallic Black paint finish
36-1/4" W x 25" H

CLEARANCES TO UNPROTECTED COMBUSTIBLES



	Masonry	Metal (ZC)
A = Insert Base to Mantel	41"	41"
B = Insert Base to Top Facing	37"	37"
C = Firebox Side to Side Facing	5-1/2"	5-1/2"
D = Firebox Side to Side Wall	10-1/2"	10-1/2"

SIZING YOUR FIREPLACE FOR AN INSERT



Your Fireplace Measurements

E = Depth	_____
F = Front Width	_____
G = Back Width	_____
H = Height	_____
I = Hearth Depth	_____

Please use the provided chart above to mark down your fireplace dimensions. This will assist you in determining the right Lopi insert for your fireplace.

Approved ZC Fireplaces: Approved for Marco®, Majestic®, Heatilator®, Superior®, Preway® and Tempco® zero clearance fireplaces. See the Owner's Manual for details.

ARCHED DOOR FACE OPTIONS



Wilmington Face
Metallic Black paint finish
35-1/4" W x 26-3/8" H



Boston™ Face
Metallic Black paint finish
36-1/4" W x 25" H

JnL Stoves and Spas

18845 Denmark St.

Rochester, WA. 98579

Hours:

Tuesday - Friday 9:30 - 6:00, Saturday 11:00 - 5:00

Sundays and Mondays - Closed